

[2020-2-29]

Common Type SS Emergency Eyewash & Shower

普通型不锈钢复合式洗眼器

产品编号: P/N 801002-S2E2B2

**INSTALLATION, COMMISSIONING, TEST, START-UP,  
OPERATION & SERVICE MANUAL**

**安装调试测试开车操作及维修手册**

中国《应急喷淋和洗眼设备》起草单位  
中石化《石油化工紧急冲淋系统设计规范》起草单位



**YANCHENG STG SAFETY EQUIPMENT CO.,LTD**  
盐城市斯壮格安全设备有限公司



STG Emergency Eyewash & Safety Shower meets CE and STG meets ISO9001

# 目 录

一、	产品说明 Product Descriptions.....	2
二、	基本技术参数 Basic technical parameters.....	2
三、	洗眼器技术标准 The standards of Emergency Eyewash & Shower.....	3
四、	安装手册 INSTALLATION MANUAL .....	3
五、	现场调试方法 The way of commissioning in the site.....	4
六、	现场测试方法 The way of test in the site.....	4
七、	现场开车说明 Start-up in the site.....	5
八、	操作手册 OPERATION MANUAL.....	5
九、	维修手册 Maintenance MANUAL.....	6
十、	备品备件表 Spare Parts List.....	7
十一、	装箱单 Packing list.....	7
十二、	产品照片 Products Picture.....	8
十三、	产品图纸 Products Drawing.....	8



STG Emergency Eyewash & Safety Shower meets CE and STG meets ISO9001

## 一、产品说明 Product Descriptions

Eyewash & Shower which install workshop directly equips shower system and Eye Wash system. Use showering system to wash with large quantity of water when the body or cloth of the injured is splashed by chemical substances. Use Eye Wash system to wash when the face, eyes, neck or arm of staff are splashed by chemicals. And the washing time must be more than 15 minutes. 复合式洗眼器配备喷淋系统和洗眼系统，直接安装在工作现场的地面上。当化学品物质喷溅到眼部、面部或者手臂的时候，使用洗眼系统进行大水量冲洗；当化学品物质喷溅到身体或者服装上的时候，使用喷淋系统进行大水量冲洗。使用洗眼器的冲洗时间必须大于 15 分钟

Base type Eyewash & Shower is applicable for the areas where the temperature isn't lower than 5°C in winter. Their technical parameter meets the technical requirements of GB/T38144.1/2-2019 and SH/T 3205-2019 Emergency Eyewash & Shower standard and technical documents of STG. It is widely used in petroleum, chemical, electric power, electronics and so on. 该洗眼器适用于冬天不会出现 5°C 以下天气的地区使用，技术参数符合 GB/T 38144.1/2-2019 和 SH/T 3205-2019 洗眼器标准的技术规定和斯壮格公司洗眼器技术文件，广泛应用于石油、化工、电力、电子等等行业

## 二、基本技术参数 Basic technical parameters

<b>Design pressure</b> 设计压力	<b>Test pressure</b> 测试压力	<b>Water supply pressure</b> 供水压力	<b>Operating pressure</b> 操作压力
1.0 MPa	1.5 MPa	0.2~0.6 MPa	0.2~0.6 MPa
<b>Design temperature</b> 设计温度	<b>Suitable for ambient temperature</b> 适用于环境温度		<b>Operating temperature</b> 操作温度
65°C	5~38°C		16~38°C (由现场保证)
<b>Washing liquid</b> 冲洗液体	<b>Inlet size</b> 进水口尺寸		<b>Outlet size</b> 出水口尺寸
Tap water for drinking 饮用自来水	1-1/4" FNPT		1-1/4" FNPT
<b>Shower water flow</b> 喷淋水流量	<b>Eye wash/ Face wash water flow</b> 洗眼/洗脸水流量		<b>Eye wash water flow</b> 洗眼水流量
>75.7 L/MIN	>11.4 L/MIN		>1.5L/MIN
<b>The material of shower bowl</b> 喷淋盆材料	<b>The material of eyewash elbow</b> 洗眼弯头材料		<b>The material of eyewash bowl</b> 洗眼盆材料
SS304, φ200mm	SS304		SS304, φ292mm
<b>Main material</b> 主体材料		<b>Using Time</b> 使用时间	
SS304		> 15 MIN	



STG Emergency Eyewash & Safety Shower meets CE and STG meets ISO9001

### 三、洗眼器技术标准 The standards of Emergency Eyewash & Shower

序号	标准号	标准名称
1	GB/T 38144.1-2019	眼面部防护 应急喷淋和洗眼设备 第1部分：技术要求
2	GB/T 38144.2-2019	眼面部防护 应急喷淋和洗眼设备 第2部分：使用指南
3	SH/T3205 2019	石油化工紧急冲淋系统设计规范
4	ANSI/ISEA Z358-1 2014	美国洗眼器技术标准 Emergency Eyewash & Shower standard

### 四、安装手册 INSTALLATION MANUAL

1. Eye Wash is installed beside dangerous places. Less than 10 seconds from hazard to Eye Wash. 洗眼器安装在危险场所附近，直线达到洗眼器的时间：小于 10 秒钟
2. Installation steps 安装步骤:

安装步骤 Installation steps	安装内容 Installation contents
第一步骤 First step	Assemble the unit according to the drawing 根据图纸组装洗眼器
第二步骤 Second steps	According to base of the unit, drill three holes of 12mm diameter on the ground. 根据洗眼器底座安装孔位置，在需要安装洗眼器的地面钻 3 个直径 12mm 的孔
第三步骤 Third steps	Fixing eye unit with stainless steel expansion bolt 用不锈钢膨胀螺栓固定洗眼器
第四步骤 Fourth steps	Connect the inlet and Outlet. 连接洗眼器的进水口和出水口
第五步骤 Fifth steps	Install Eye Wash bowl and Eye Wash elbow 安装洗眼盆和洗眼弯头
<b>Remark 备注</b>	
<ol style="list-style-type: none"> <li>1. Equip the filter and maintain valve(Optional object)在洗眼器进水口位置加装过滤器和维修球阀（选择配置）</li> <li>2. During the storage and installation of the eye washer, the positions of the spray ball valve and the eye wash ball valve must be fully closed or fully open, otherwise it will cause the ball valve sealing gasket to expand and cannot close the ball valve 在储存和安装洗眼器的过程中，喷淋球阀和洗眼球阀的位置必须全关或者是全开的位置，不然会造成球阀密封垫片膨胀而无法关闭球阀</li> <li>3. When the flushing pipe is carried out on site, the eyewash elbow must be removed, and the eyewash elbow must be installed after the completion of the flushing procedure 在现场进行冲管的时候，必须取下洗眼弯头，等待冲管程序结束之后，再安装洗眼弯头</li> </ol>	



STG Emergency Eyewash & Safety Shower meets CE and STG meets ISO9001

## 五、现场调试方法 The way of commissioning in the site

序号	调试部分	具体内容
1	调试洗眼部分 adjust the eyewash parts	<ul style="list-style-type: none"> <li>➢ 打开洗眼开关到 90° open the eyewash switch: 90°</li> <li>➢ 从洗眼喷头到水源最高点的距离 The distance from eyewash nozzle to the highest point of water source: 150~300mm</li> <li>➢ 关闭洗眼开关 Shut off the eyewash switch</li> </ul>
2	调试喷淋部分 adjust the shower parts	<ul style="list-style-type: none"> <li>➢ 打开洗眼开关到 90° open the eyewash switch: 90°</li> <li>➢ 再打开喷淋开关到 90°，在距离地面 1520mm 处，喷淋水直径：&gt;510mm，而且是满喷，同时从洗眼喷头到水源最高点的距离：&gt;150~300mm Then turn on the shower switch to 90 ° and at 1520 mm away from the ground, the shower water diameter is more than 510mm, and it is full spraying. At the same time, the distance from the eyewash nozzle to the highest point of water source is more than 150 ~ 300 mm</li> </ul>

## 六、现场测试方法 The way of test in the site

序号	测试部分	具体测试内容
1	测试洗眼部分 Test the eyewash parts	<ul style="list-style-type: none"> <li>➢ 打开洗眼开关到 90° open the eyewash switch: 90°</li> <li>➢ 从洗眼喷头到水源最高点的距离 The distance from eyewash nozzle to the highest point of water source: 150~300mm</li> <li>➢ 洗眼/洗脸水流量 The flow of eyewash/face: &gt;11.4L/MIN</li> </ul>
2	测试喷淋部分 Test the shower parts	<ul style="list-style-type: none"> <li>➢ 打开喷淋开关到 90° Open the shower switch: 90°</li> <li>➢ 在距离地面 1520mm 处，喷淋水直径：&gt;510mm，而且是满喷，喷淋水流量：&gt;76L/MIN At 1520 mm away from the ground, the shower water diameter is more than 510 mm, and the shower water flow is more than 76L/MIN</li> </ul>
3	测试喷淋部分和洗眼部分 Test the shower parts and eyewash parts	<ul style="list-style-type: none"> <li>➢ 不关闭洗眼部分 Do not close the eyewash part</li> <li>➢ 打开喷淋开关到 Turn on the shower switch to 90°</li> <li>➢ 在距离地面 1520mm 处，喷淋水直径：&gt;510mm，而且是满喷 At 1520 mm away from the ground, the spray water diameter is more than 510 mm</li> <li>➢ 从洗眼喷头到水源最高点的距离 Distance from eyewash nozzle to the highest point of water source: 150~300mm</li> </ul>



STG Emergency Eyewash & Safety Shower meets CE and STG meets ISO9001

<ul style="list-style-type: none"> <li>➢ 洗眼/洗脸水流量 Eye wash / face wash water flow: &gt; 11.4L/MIN</li> <li>➢ 喷淋水流量 shower water flow: &gt;76L/MIN</li> </ul>
--

## 七、现场开车说明 Start-up in the site

序号	开车部分	具体内容
1	确保供水管道打开 Make sure the water supply pipe is open	打开洗眼器进水口维修阀门 Open the maintain valve of inlet
2	打开洗眼部分 Open the eyewash parts	满足测试技术要求 Meet the test technical requirements
3	打开喷淋部分 Open the shower parts	满足测试技术要求 Meet the test technical requirements
4	同时打开喷淋部分和洗眼部分 Open the shower part and eye wash part at the same time	满足测试技术要求 Meet the test technical requirements

## 八、操作手册 OPERATION MANUAL

序号 Item	受伤部位 Injured part	操作部分 Operation parts	操作内容 Operation contents
1	眼部和面部 Eyes and face	单独使用洗眼部分 Use eye wash alone	<ul style="list-style-type: none"> <li>➢ Push the eye wash handle by hand, open the eye wash ball valve to 90 °quickly, and the eye wash water will spray out automatically 手推洗眼手推柄，快速打开洗眼球阀到 90°，洗眼水自动喷出</li> <li>➢ after use, close the eye wash handle, so as to close the eye wash ball valve switch, and then reset the dust cover to the eye wash nozzle 使用后，关闭洗眼手推柄，以便关闭洗眼球阀开关，再把防尘盖复位到洗眼喷头上</li> </ul>
2	除了眼部和面部之外的其他身体部位 Body parts other than eyes and face	单独使用喷淋部分 Use shower alone	<ul style="list-style-type: none"> <li>➢ Pull the shower rod by hand, quickly open the shower ball valve to 90 °, and the shower water will spray automatically 手拉喷淋拉杆，快速打开喷淋球阀到 90°，喷淋水自动喷出</li> <li>➢ after use, push the shower rod upward to close the shower switch 使用后，把喷淋拉杆往上推，以便关闭喷淋开关</li> </ul>
3	眼部、面部和	同时使用洗眼和喷淋	<ul style="list-style-type: none"> <li>➢ 手拉喷淋拉杆，打开喷淋部分 Pull the spray rod by</li> </ul>



	<p>身体其他部位 Eyes, face and other parts of the body</p>	<p>Simultaneous use of eye wash and shower</p>	<p>hand to open the shower part</p> <ul style="list-style-type: none"> <li>➤ 手推洗眼手推柄，打开洗眼部分 Push eye wash handle by hand, open eye wash part</li> <li>➤ 使用结束之后，把喷淋拉杆往上推，以便关闭喷淋开关 After use, push the shower rod upward to close the shower switch</li> <li>➤ 关闭洗眼手推柄，以便关闭洗眼球阀开关，再把防尘盖复位到洗眼喷头上上面 Close the eye wash handle to close the eye wash ball valve switch, and then reset the dust cover to the eye wash nozzle</li> </ul>
--	--	--	--

## 九、 维修手册 Maintenance MANUAL

TROUBLESHOOTING 故障排除		
序号	PROBLEM 故障	REPAIR CHECKLIST 维修检查清单
1	<p>No water 没有水源</p>	<ul style="list-style-type: none"> <li>➤ Check the main shut-off valve in the Inlet 检查进水口维修阀是否打开</li> <li>➤ Check the supply has water 检查供水管里面是否有水源</li> </ul>
2	<p>Water leak between joint or fittings 连接处漏水</p>	<p>Pipe fittings, shower valve, eyewash valve is leak , disassembly it , replacement of sealing material, install again 管件，喷淋或者洗眼球阀漏水，拆卸下来，更换密封物质，再次安装</p>
3	<p>Insufficient water flow 供水量不足</p>	<p>Confirm that the water supply pressure is greater than 0.2MPa. 确认保证供水压力大于 0.2Mpa</p>
4	<p>Insufficient water flow on eyewash, however, shower is sufficient 洗眼喷水不正常，而喷淋出水正常</p>	<p>Remove the eye wash elbow, clean the inner filter and reinstall it 拆卸洗眼弯头，清洗里面过滤器，并重新安装</p>
5	<p>Eyewash or face wash streams do not meet at desired eye level or are not balanced 洗眼或者洗眼/洗脸水流不交汇或者两边不平衡</p>	<p>Remove the eye wash elbow, clean the inner filter and reinstall it 拆卸洗眼弯头，清洗里面过滤器，并重新安装</p>
6	<p>Insufficient water flow at the showerhead. However. Eyewash is sufficient. 喷淋出水不足，而洗眼水充分</p>	<p>Remove shower head, clean plug, and install shower head again 拆卸喷淋头，清理堵塞物，再次安装喷淋头</p>



STG Emergency Eyewash & Safety Shower meets CE and STG meets ISO9001

## 十、 备品备件表 Spare Parts List

Installation Parts 安装备品备件清单						
品目号 Item	备件名称 Parts Name	型号/规格 Specification	单位 Unit	数量 Q'ty	单价 Unit price	制造厂 Manufacturer
001	膨胀螺栓 Expansion bolt	M10	只 Piece	3	Free	STG
002	生料带 Tape		只 Piece	1	Free	STG
备注: 安装备品备件价格含在投标总价中 The cost of installation Parts is included in the total price						
SPARE PARTS LIST for Two Years 两年备品备件清单						
品目号 Item	备件名称 Parts Name	型号/规格 Specification	单位 Unit	数量 Q'ty	单价 Unit price	总价 Total
001	喷淋球阀 Shower ball valve	SBVG	片 Piece	1		
002	洗眼球阀垫片 Eyewash ball valve gasket	EWBVG	片 Piece	2		
003	洗眼喷头防尘盖 Eye wash nozzle dust cover	EWNDC	只 Piece	2		
			Total:	5		
备注: 两年备品备件价格不含在投标总价中 The cost of SPARE PARTS LIST for Two Years is not included in the total price						

## 十一、 装箱单 Packing list

序号	部件名称	规格	材料	数量 (只)
1	<input type="checkbox"/> 喷淋头 S1	Φ250mm	ABS	1
	<input checked="" type="checkbox"/> 喷淋头 S2	Φ200mm	SS304	1
	<input type="checkbox"/> 喷淋头 S3		SS304	1
2	<input type="checkbox"/> 喷淋弯头	1" 90°弯头	ABS	1
	<input checked="" type="checkbox"/> 喷淋弯头	1" 90°弯头	SS304	1
3	喷淋横杆	1"	SS304	1
4	喷淋球阀	1"	SS304	1
5	喷淋拉片		SS304	1

地址: 盐城东台市四灶镇工业园纬一路 1 号 电话: 0515-85490208 85490218

联系人: 刘小林 139 5155 4793 邮箱: [wxstg@126.com](mailto:wxstg@126.com) [wx@stgmfg.com](mailto:wx@stgmfg.com)

<http://www.stgmfg.com>

第 7 页 共 9 页

<http://www.a1899.com>





STG Emergency Eyewash & Safety Shower meets CE and STG meets ISO9001

6	喷淋拉杆		SS304	1
7	喷淋横杆变径三通和堵头	1"~1-1/4"	SS304	1
8	通水管	1"~1-1/4"	SS304	3
9	正三通	1"~1-1/4"	SS304	2
10	洗眼总成		SS304	1
11	洗眼手推柄		SS304	1
12	<input type="checkbox"/> 洗眼盆 B1	Φ250mm	ABS	1
	<input checked="" type="checkbox"/> 洗眼盆 B2	Φ292mm	SS304	1
	<input type="checkbox"/> 洗眼盆 B3	Φ292mm	SS304	1
13	<input type="checkbox"/> 洗眼弯头 E1		ABS	1
	<input checked="" type="checkbox"/> 洗眼弯头 E2		SS304	1
14	底座		铸铁	1
15	合格证和安全挂牌			1
16	使用说明书			1
17	<input type="checkbox"/> 脚踏板（选择配置）		CS	1

备注：包装信息：纸箱包装，包装尺寸：长\*宽\*高=750\*430\*310mm，重量：22KG

## 十二、 产品照片 Products Picture

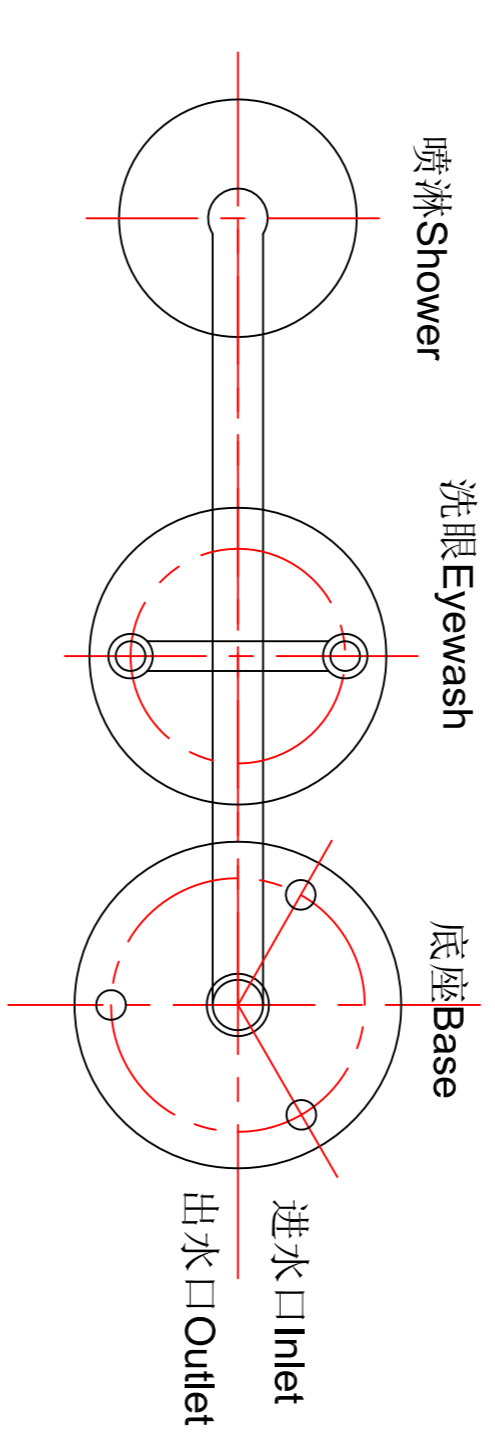
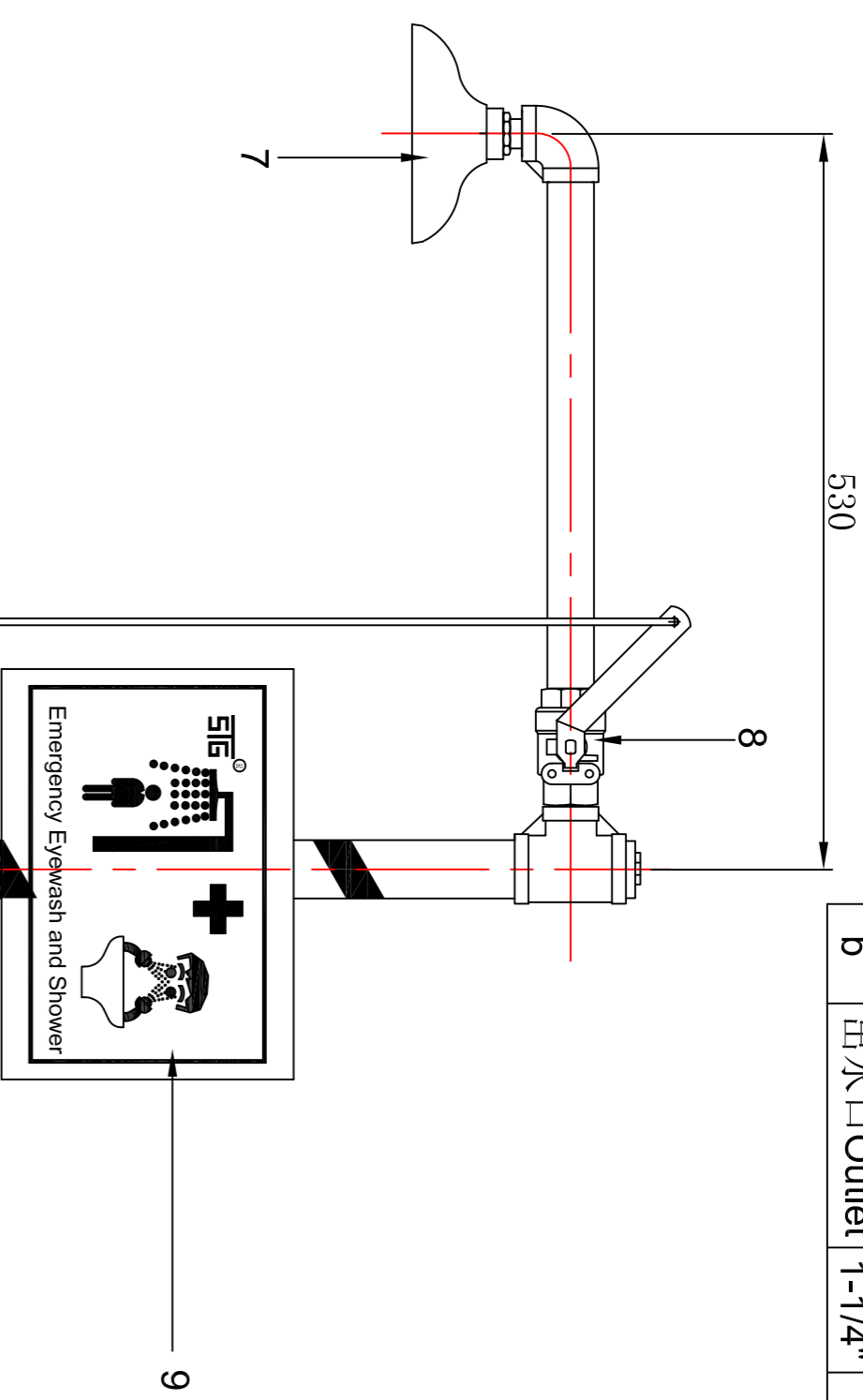


## 十三、 产品图纸 Products Drawing

地址：盐城东台市四灶镇工业园纬一路1号 电话：0515-85490208 85490218  
联系人：刘小林 139 5155 4793 邮箱：[wxstg@126.com](mailto:wxstg@126.com) [wx@stgmfg.com](mailto:wx@stgmfg.com)  
<http://www.stgmfg.com> 第 8 页 共 9 页 <http://www.a1899.com>

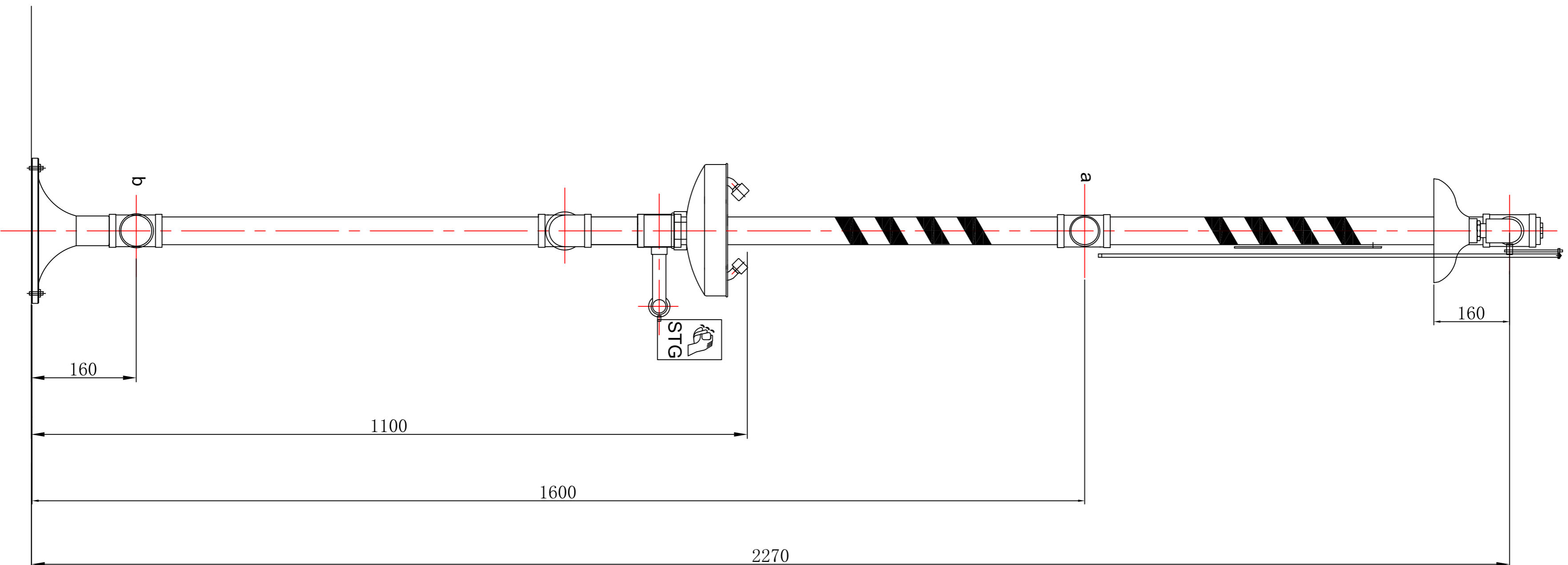
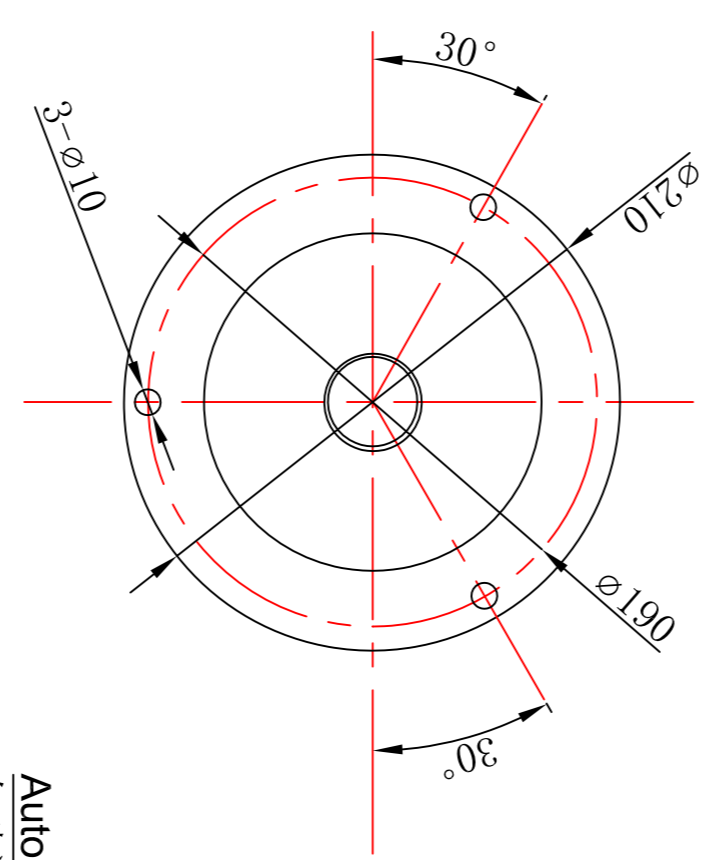
管口表 List of Nozzle			
序号 No.	名称 Name	尺寸 Size	标准 Standard
a	进水口Inlet	1-1/4"	ASME B1.20.1
b	出水口Outlet	1-1/4"	ASME B1.20.1

- 备注Notes**
- The name of unit: Common Type SS Emergency Eyewash and Shower  
设备名称: 普通型不锈钢复合式洗眼器
  - Product No.: P/N 801002-S2E2B2  
产品编号: P/N 801002-S2E2B2
  - The weight of unit: 20KG  
设备重量: 20KG
  - The size: L\*W\*H=730\*400\*2370mm  
设备外型尺寸: 长\*宽\*高=750\*400\*2370mm
  - 位号 Tag No.: SS&EW-1001~
  - 数量 Total: Sets

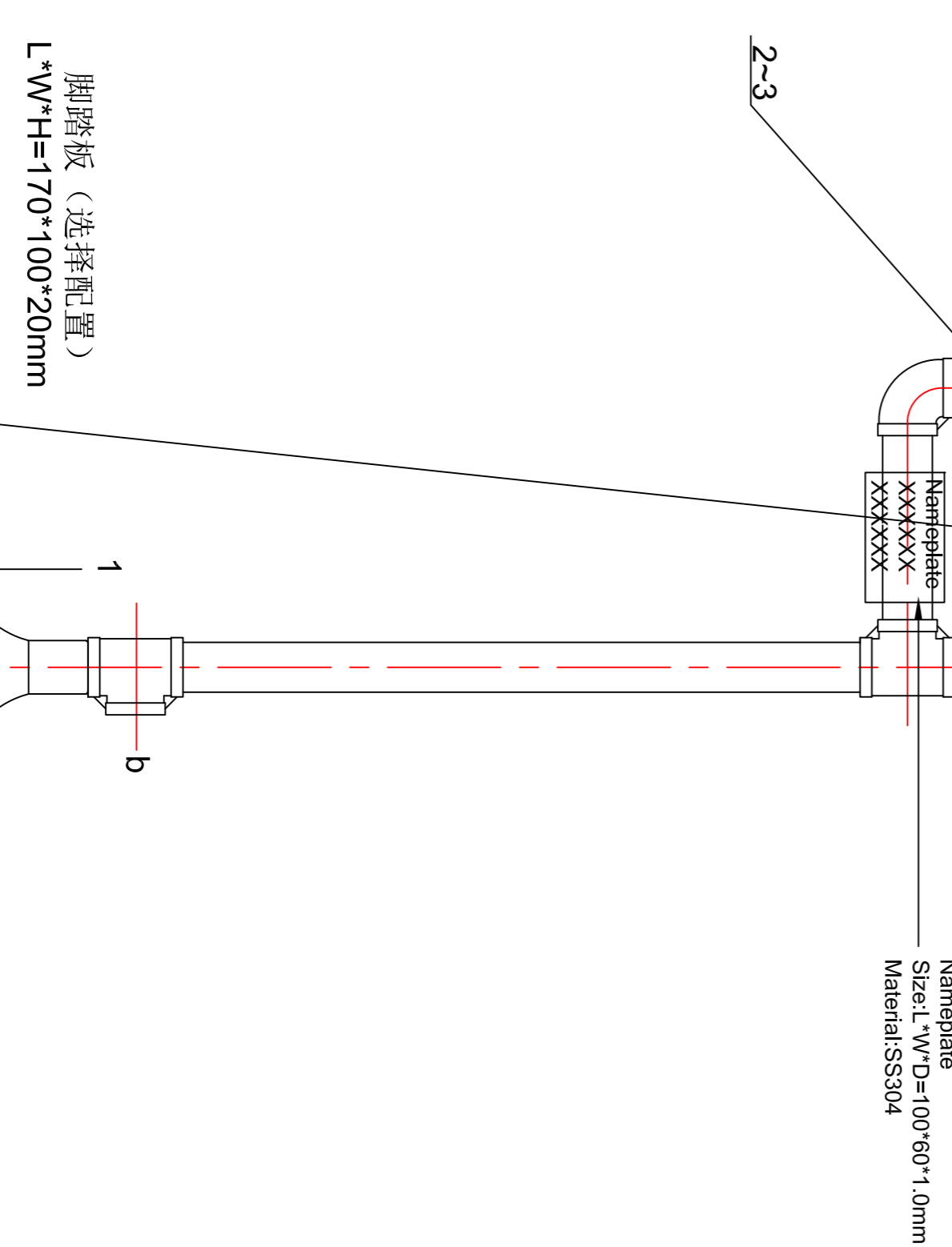


安装方位图  
Install Direction Drawing

FOUNDATION LOADING DIAGRAM & SUPPORT DETAILS  
基础负载图与支架详图  
重量 Weight: 20KG



自动调节器和过滤器  
Automatic regulator and Filter



序号 NO.	代码 CODE	部件名称 Name	规格 SPEC	数量 QTY.	材料 MATL.	备注 REMARK
1	BASE-IR	底座Base	Ø210	1	IRON	浸塑ABS
2	EWP	手推杆Handle		1	SS304	
3	EWB	洗眼球阀Eyewash valve 1/2"		1	SS304	
4	B2	洗眼盆Eyewash bowl	Ø292	1	SS304	
5	E2	洗眼弯头Eyewash elbow		1	SS304	
6	SHR	喷淋拉杆Pull Rod		1	SS304	
7	S2	喷淋头Shower Head	Ø2300	1	SS304	
8	SHB	喷淋球阀Shower valve	1"	1	SS304	
9	SIGNS-P	安全挂牌Security Listing	290*210mm	1	PVC	Brilliant Type
10	PIPES-P	通水管Pipe	1-1/4"	3	SS304	
11						
12						
13						
14						
15						
16						
17						
18						

图纸编号 DRAWING NO.	图纸名称 DRAWING TITLE	版次 REV.	描述 DESCRIPTION	设计 DESIGNED	校核 CHECKED	审核 APPROVED	日期 DATE	发出 FOR REVIEW
0000-0000-STG-0000-MEF-0000-0000	盐城市斯壮格安全设备有限公司	K01	基础负载图与支架详图	Ma.Jing	Ma.Jing	Ma.Yiqin	25-Feb-20	Issued for Review



盐城市斯壮格安全设备有限公司  
YANCHENG STG SAFETY EQUIPMENT CO.,LTD

FABRICATION/ CONSTRUCTION DETAIL DRAWINGS  
装配/结构详图